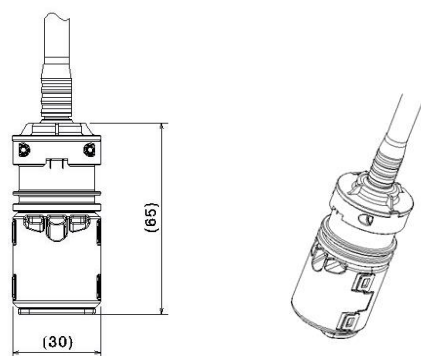


Outline Drawings



Weight: approx. 50g

1. Basic Specifications

Ratings	Value	Note
Input Supply Voltage	DC5V or DC12V or DC24V	DC12V and DC24V require power supply board separately.
Power Consumption	90mA	Excluding inrush current
Operating Temperature	-40°C~+80°C	
Measuring Medium	AdBlue®	JIS K2247-1/ISO 22241-1
Liquid Detection	Oil Detection(Light Oil, Gasoline, Heavy Oil), Water, Air, Aqueous solution	Under specific condition
Sensing Accuracy	+/-2wt%	-8°C<=Temperature<=40°C

2. Communication Specifications

Ratings	Value	Note
Protocol	CAN 2.0B	SAE J1939 Standard□
Message ID Length	29 bit CAN ID (Extended Frame Format)	
Resolution	Concentration: 0.25wt% Temperature :1°C	